

LB2295130F2L

LiFeBATT, Inc.

2011/05/15

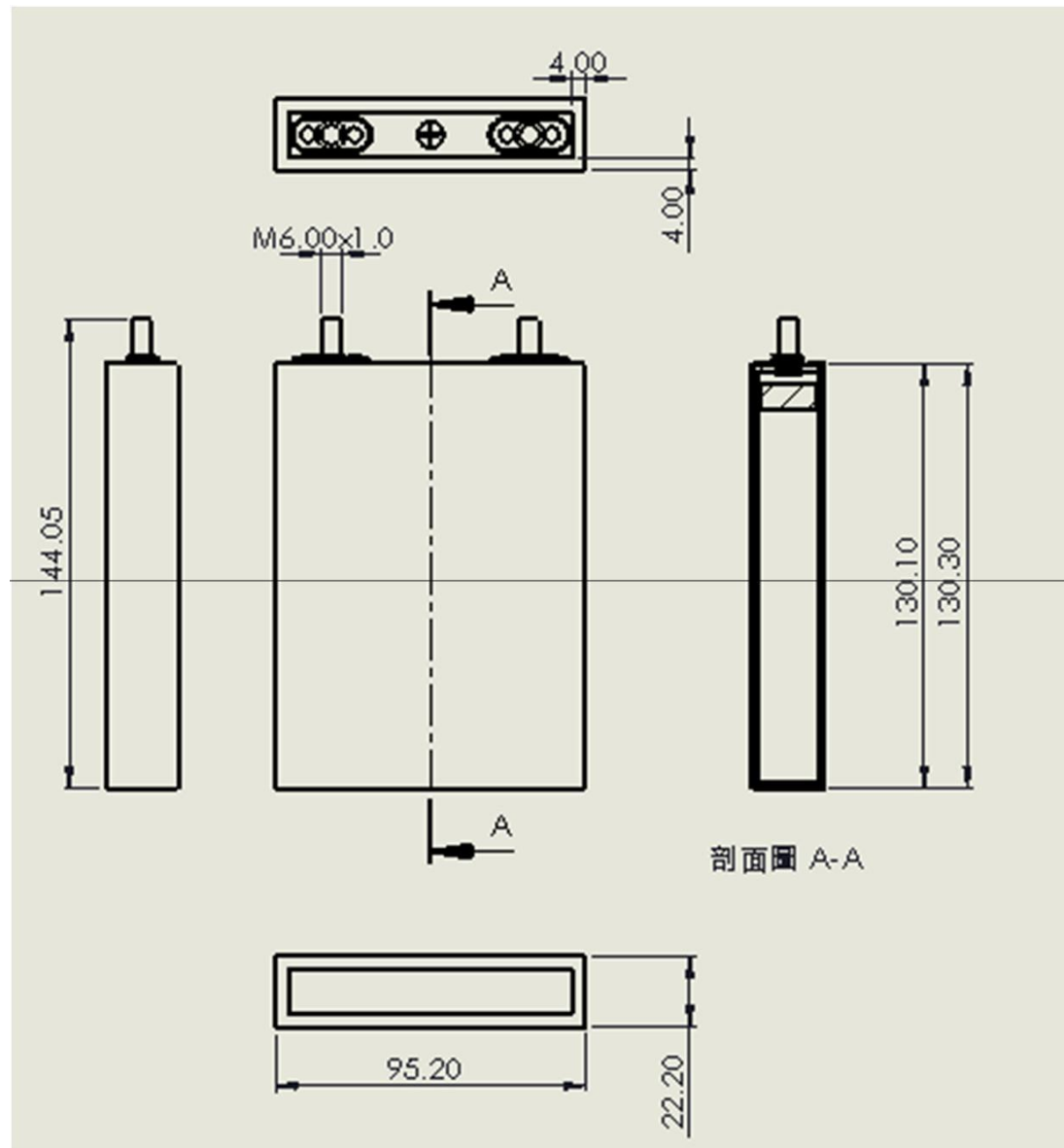
Specifications (1)

Physical Characteristics		
Weight	Approx.510 g	
Dimension (不含端子)	<u>22 × 95 × 130 mm</u>	
Electrical Characteristics		
Nominal Voltage	3.3 V	
Nominal Capacity (0.2C)	17,500 mAh	
Min. Capacity(0.2C)	16,700 mAh	
Internal Resistance	<4	
Energy Density	Gravimetric	113 Wh/Kg
	Volumetric	212Wh/L
Power Density (at 80% SOC, 10s peak)	Gravimetric	988 W/Kg
	Volumetric	1854W/L

Specifications (2)

Operation Conditions		
Charging Voltage		3.65 V
Charging Method		CC-CV
Cut-off Discharge Voltage		2.10 V
Max Continuous Discharge Current		100A
Max 10s Peak Current		240 A
Max Charge Current		35A
Operating Temperature Range	Discharge	-20 ~ 60 °C
	Charge	-10 ~ 50 °C

Appearance



2295130 C-rate

Rate Capability

--Charge Condition: CC/CV,3.65V,0.05C cut

--Discharge Condition: Constant current discharge to 2.1V

